

SelectLine

Economy functional & digital audio access systems

Audio 8 & 16
Functional
Installation Manual

SelectLine
Functional Audio

Select Manufacturing Limited

Unit H1 - The Seedbed Centre - Wyncolls Road - Severalls Business Park - Colchester - Essex CO4 9HT

Telephone +44(0)1206 855800 - Facsimile +44(0)1206 855801

E-mail sales@selectman.co.uk - <http://www.selectman.co.uk>

Functional Audio

Revision 1.08 Date: 20/05/2009



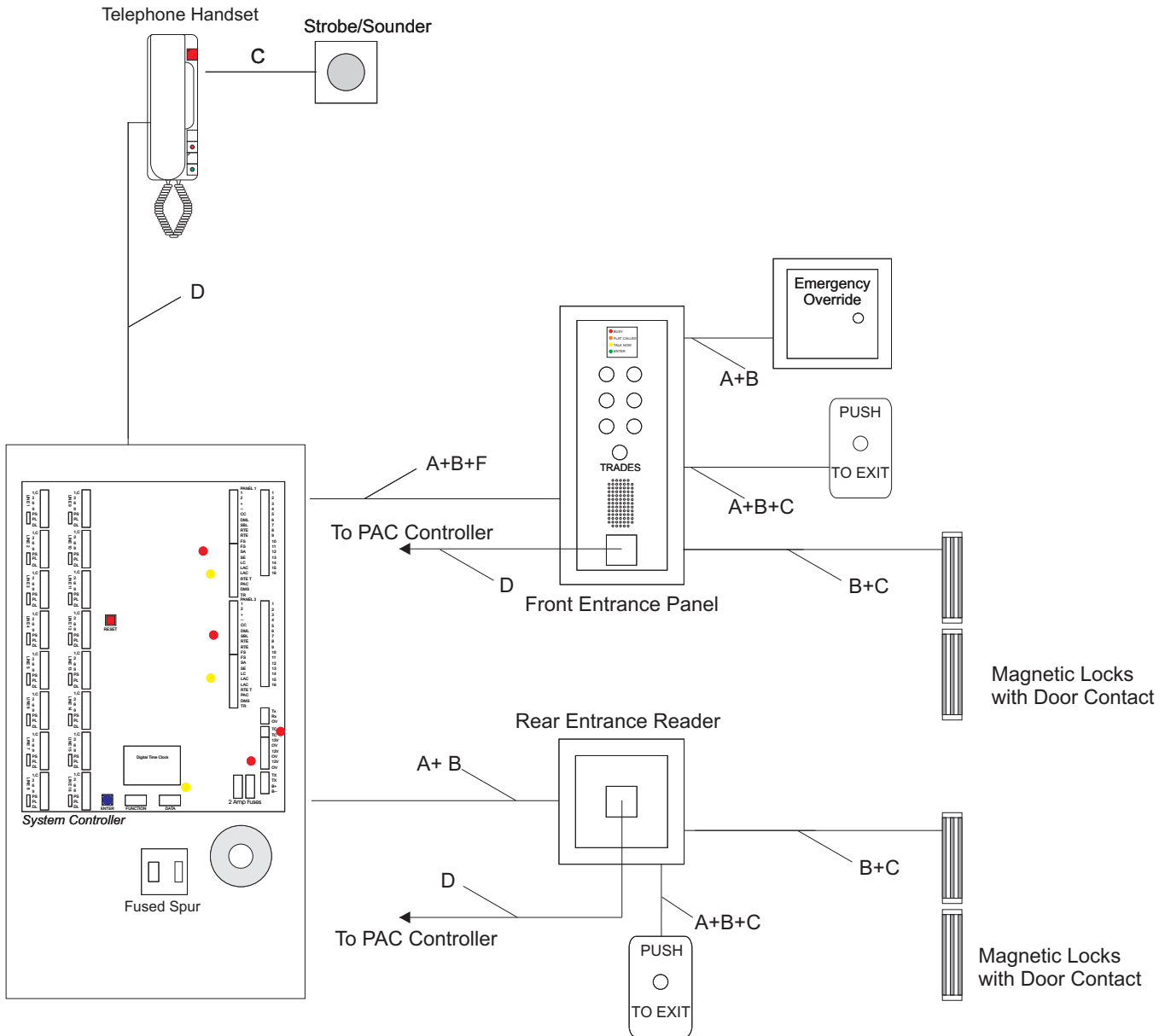
Functional Audio Installation Manual

	<u>Page</u>
<u>Contents</u>	1
<u>SYSTEM:</u>	
Single Entrance With PAC And PAC Rear Door	3
Dual Entrance With PAC	4
8 & 16 way Controller Overview	5
System Wiring Overview	6
Single and Dual/Landing Entrance Panels	7
1130/STD Standard Telephone (With Electronic Call)	8
AT-PID SelectLine Telephone (Full Facility)	
Panel Amplifier	
Dual/Landing Panel	
Strobe (Hard of Hearing)	
Sounder (Hard of Hearing)	
Fire Override Switch (Failsafe & Fail Secure)	9
Request To Exit & Fire Override (Fail Safe Lock Release)	
12VDC Auxiliary Output (Max 1Amp Output)	
External Trades Clock (BST/GMT)	
Request To Exit (Momentary)	
Request To Exit (Timed)	
DC Fail Secure Lock Release	10
DC Fail Safe Lock Release	
AC Fail Secure Lock Release	
PAC Easikey 99 Controller & Reader	11
PAC 1000, 1000N and 2000 Controller	
System Connection Summary	12
Controller Programming Instructions	13
Controller Switch Settings	14
Controller Switch Settings (Example)	15
On Board Digital Clock Programming	16
Auxiliary BST/GMT Clock Programming	17
System Wiring Colour Codes	18-19
Power Specification	20
System Controller Default Settings	
Telephone Tenant Instruction Leaflet	21
Commissioning/Final Inspection Form	22

Functional Audio Systems

Functional Audio Installation Manual

Functional System Overview with a PAC Reader Rear Entrance

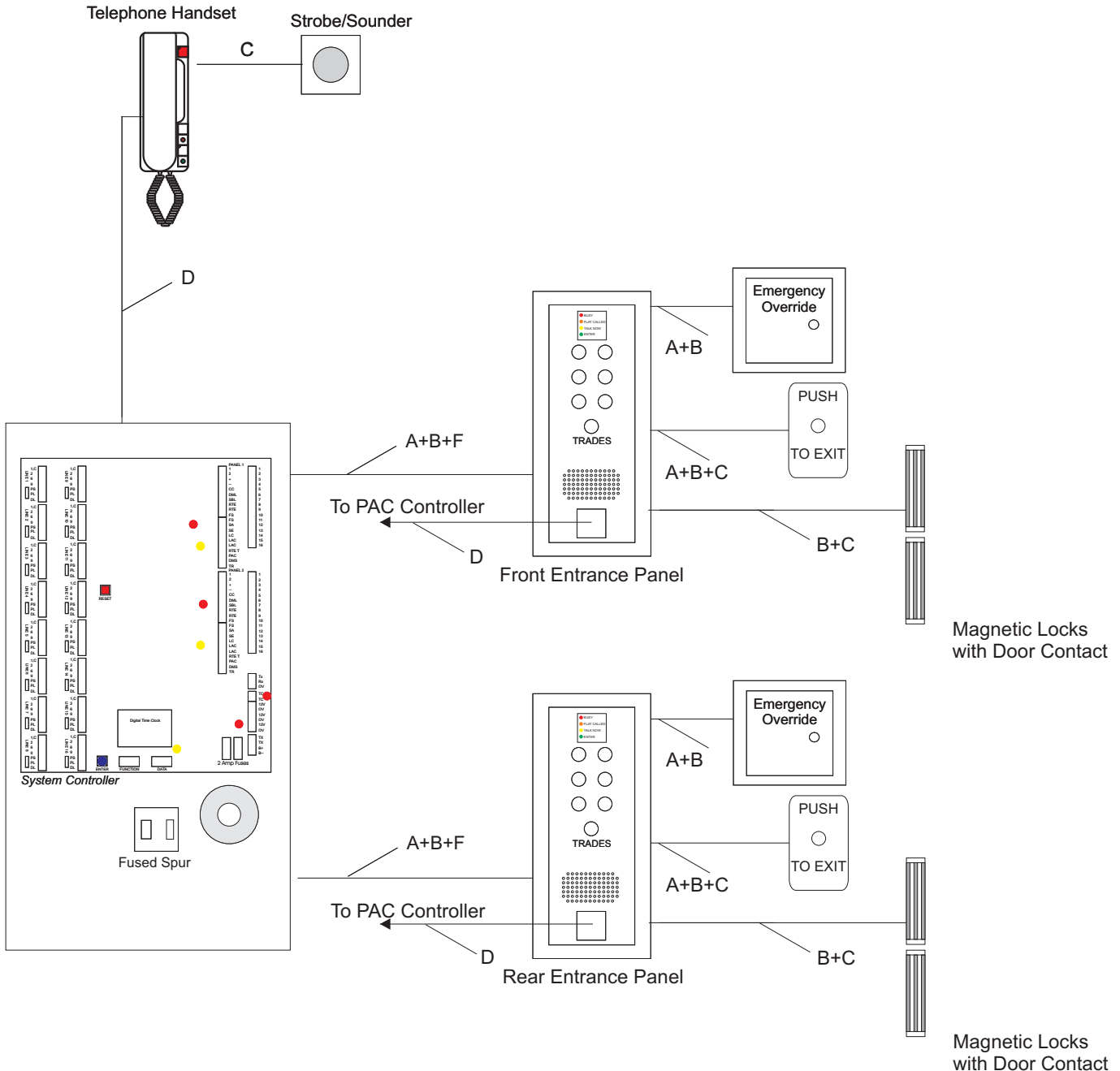


- A - Single Earth
- B - 2 Wire (1 Pair)
- C - 2 Wire (1 Pair)
- D - 8 Wire (4 Pair)
- F - 30 Wire (15 Pair)
- D - 8 Wire (4 Pair)

- 2.5mm Mains Type Cable (Continuity)
- 1mm Mains Type Cable (Lock Power)
- CW1308 0.5mm dia Multipair Cable (Minimum)
- CW1308 0.5mm dia Multipair Cable (Minimum)
- CW1308 0.5mm dia Multipair Cable (Minimum)
- CW1308 0.5mm dia Multipair Cable (Minimum)(PAC Reader) Cable

Functional Audio Installation Manual

Functional System with Two Entrances with PAC Overview

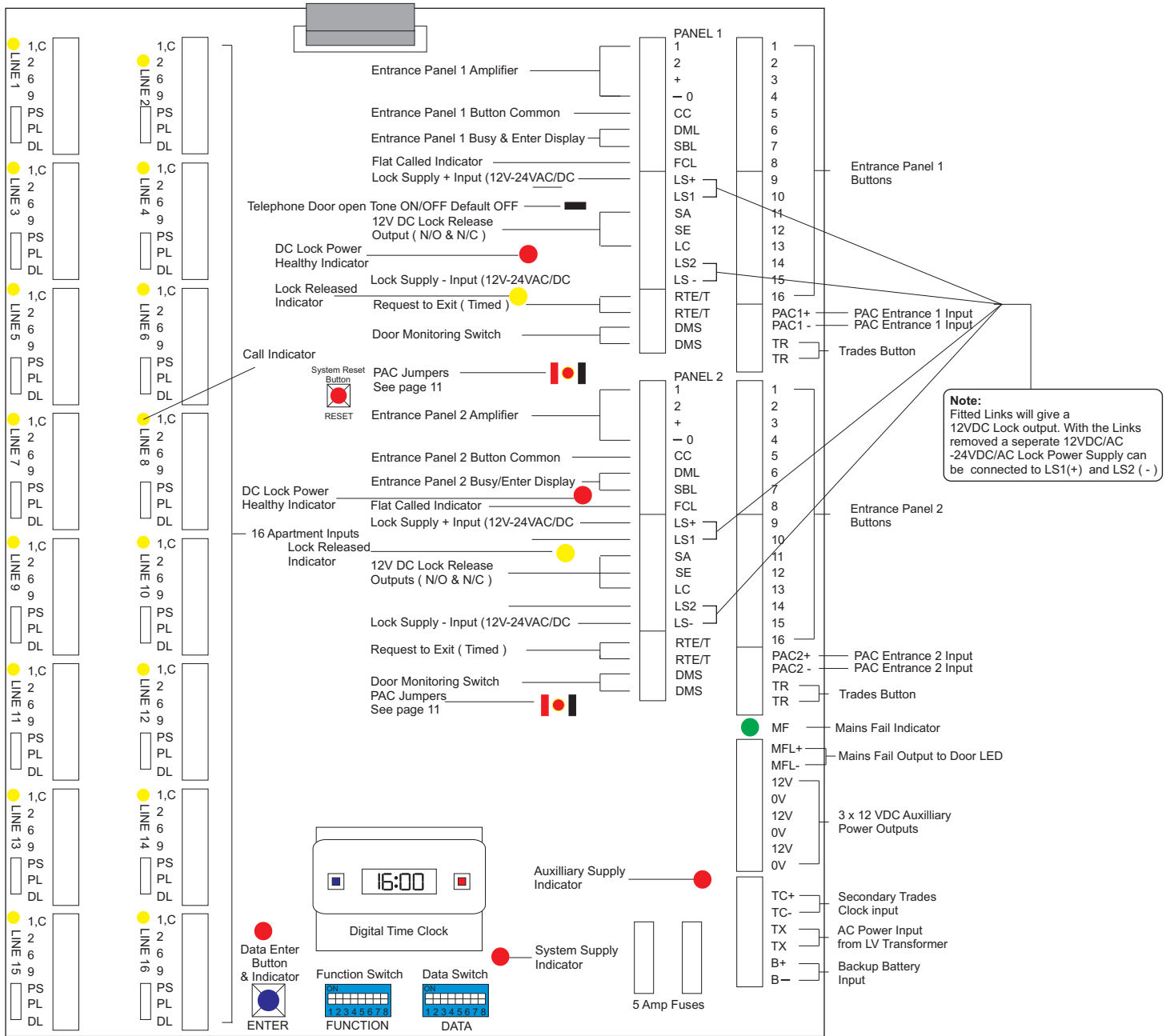


- A - Single Earth
- B - 2 Wire (1 Pair)
- C - 2 Wire (1 Pair)
- D - 8 Wire (4 Pair)
- F - 30 Wire (15 Pair)
- D - 8 Wire (4 Pair)

- 2.5mm Mains Type Cable (Continuity)
- 1mm Mains Type Cable (Lock Power)
- CW1308 0.5mm dia Multipair Cable (Minimum)
- CW1308 0.5mm dia Multipair Cable (Minimum)
- CW1308 0.5mm dia Multipair Cable (Minimum)
- CW1308 0.5mm dia Multipair Cable (Minimum)(PAC Reader) Cable

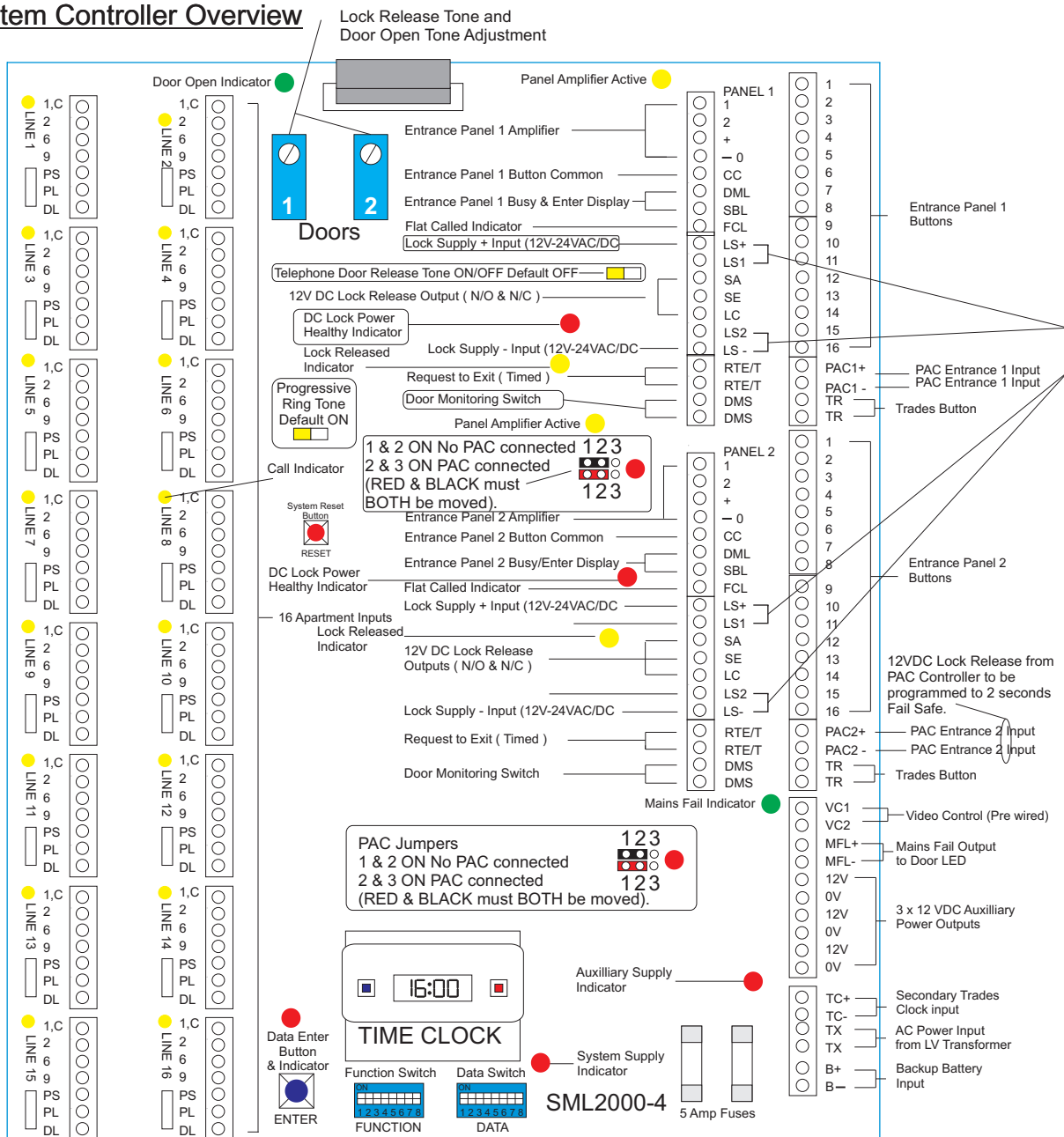
Functional Audio Installation Manual

Functional System Controller Overview



Functional Audio Installation Manual

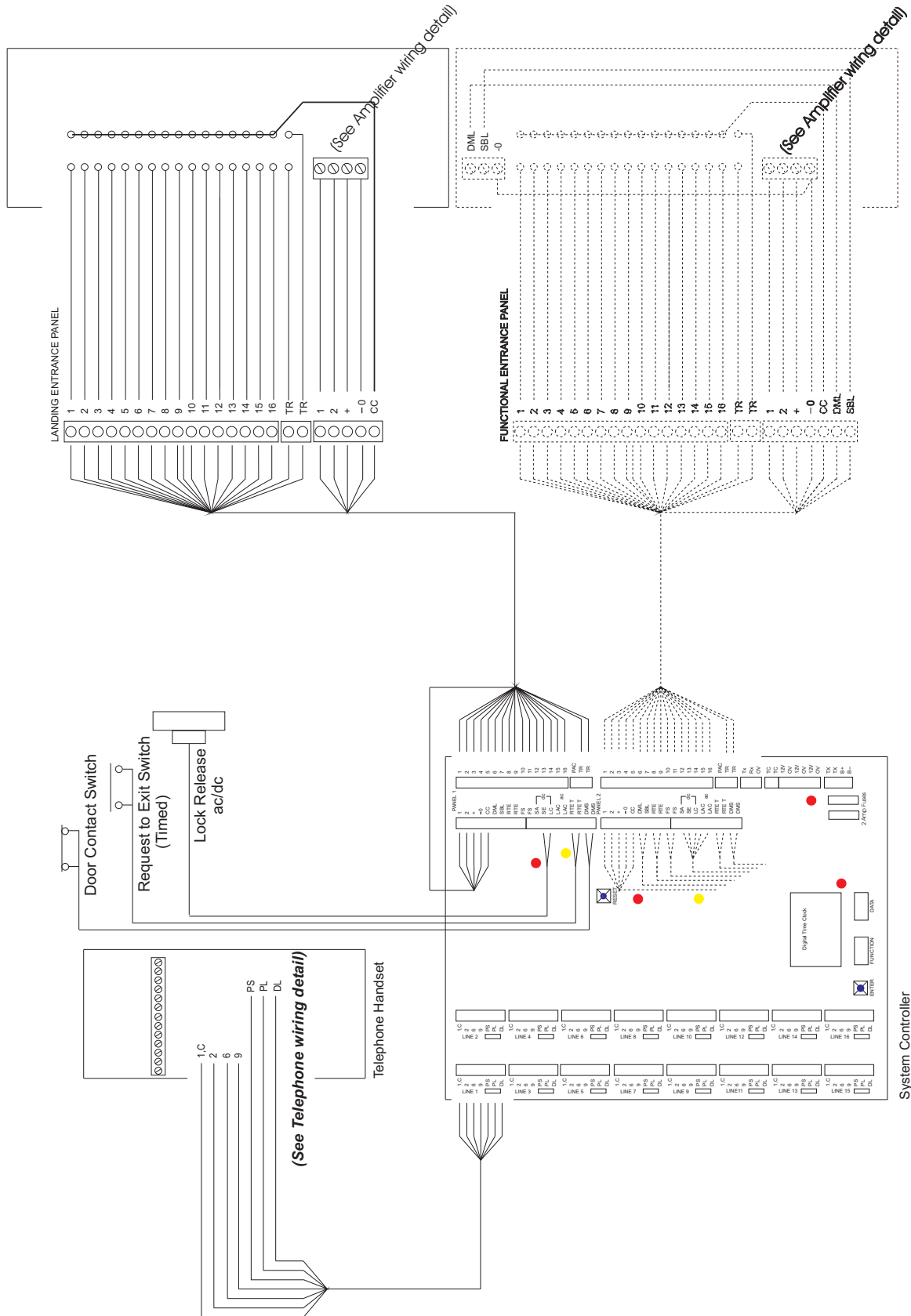
Functional System Controller Overview



Note:
Fitted Links will give a 12VDC Lock output. With the Links removed a separate 12VDC/AC -24VDC/AC Lock Power Supply can be connected to LS1(+) and LS2 (-)

Functional Audio Installation Manual

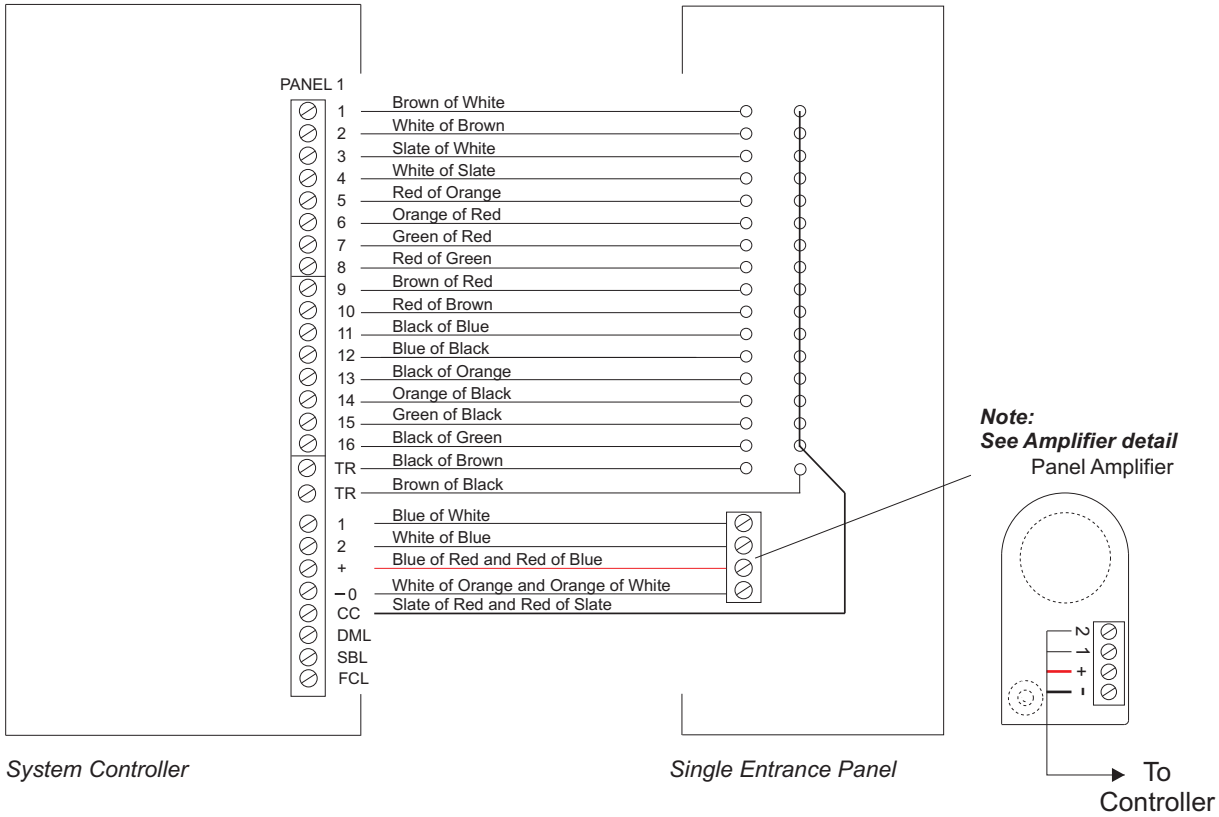
Functional System Wiring Overview



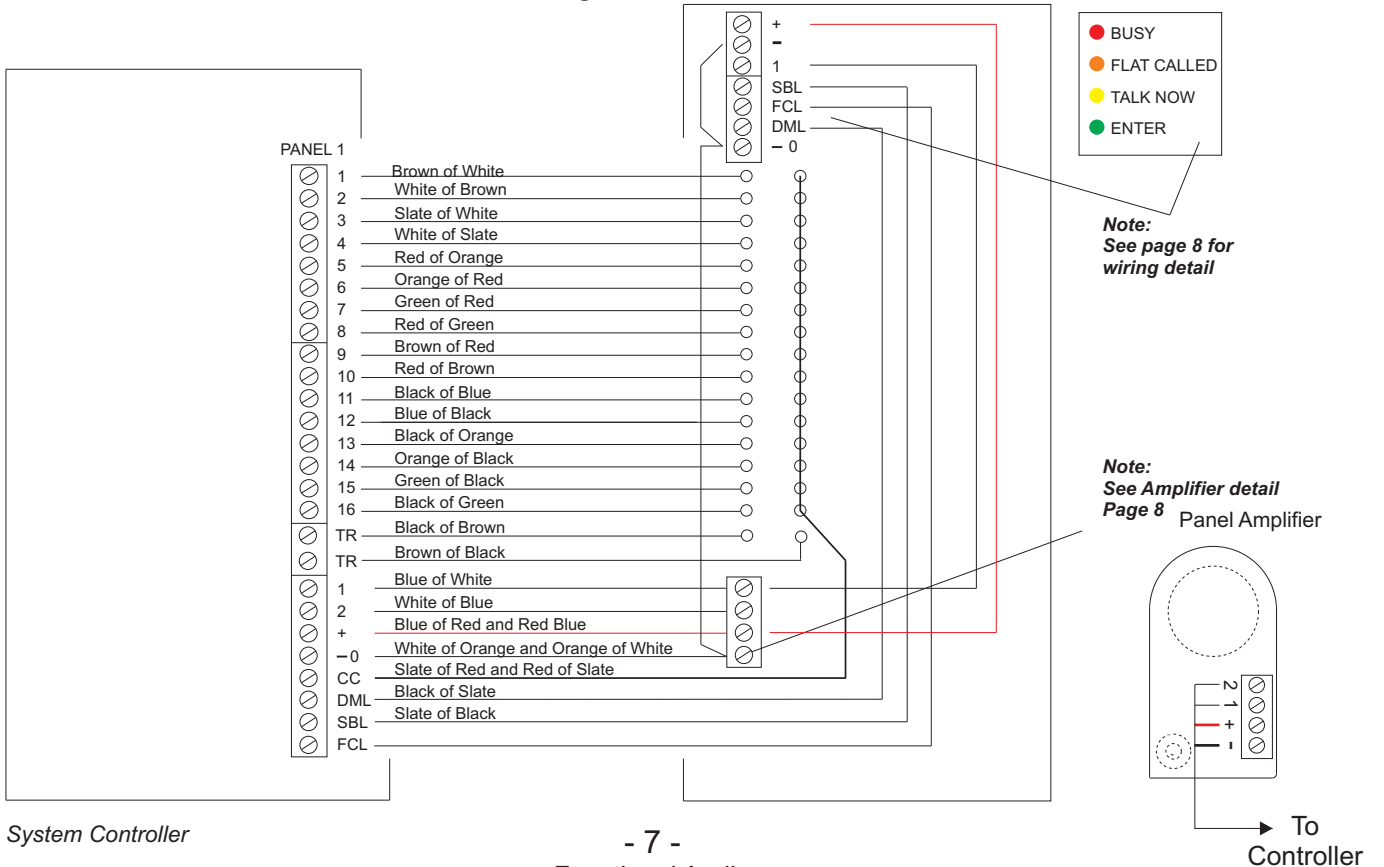
Functional Audio Installation Manual

Single, Dual and Landing Panels

Single Panel wiring detail



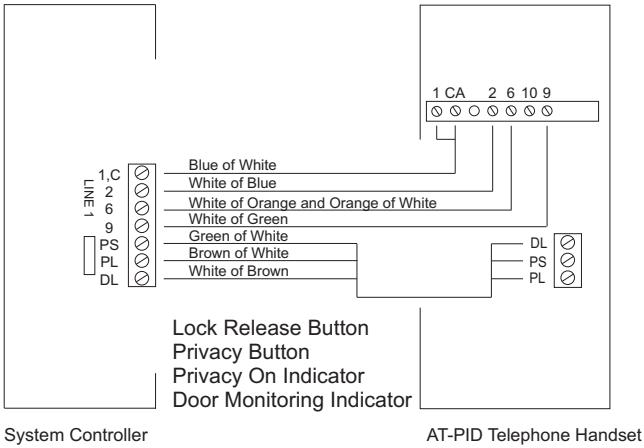
Single & Dual Entrance Panel with DDA wiring detail



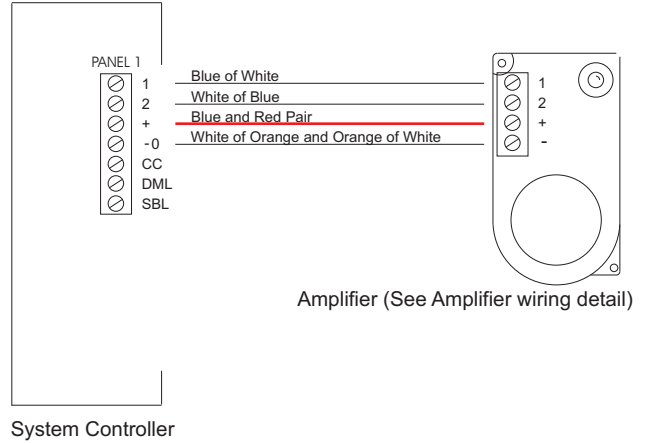
Functional Audio Installation Manual

AT-PID Telephone

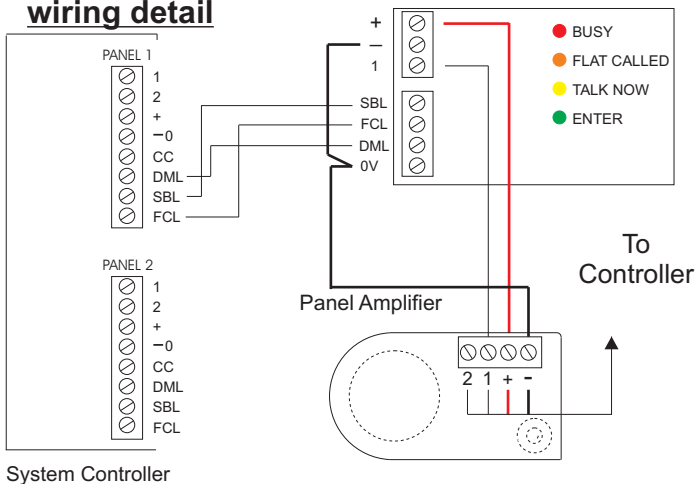
Privacy, Privacy On Indicator and
Door Monitoring Indicator wiring detail



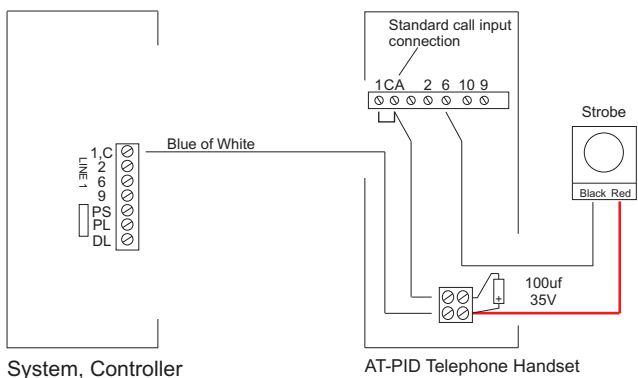
Panel Amplifier wiring detail



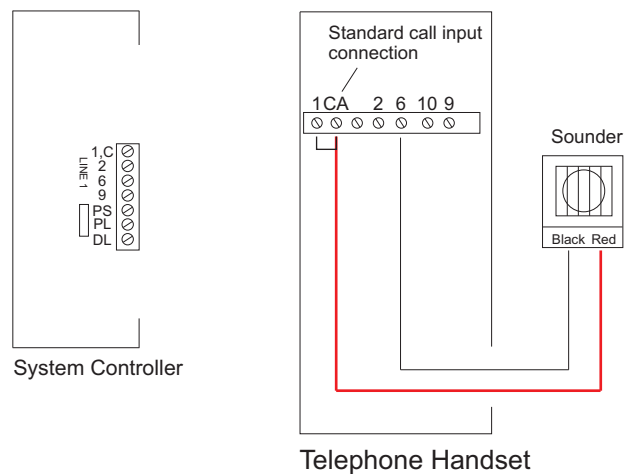
Entrance Panel DDA Display wiring detail



Strobe wiring detail



Sounder wiring detail

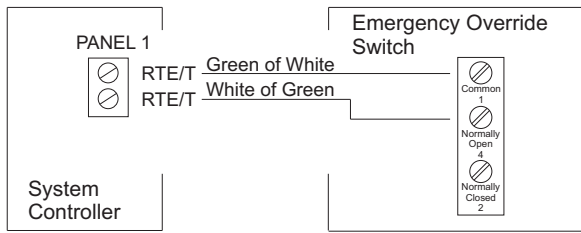


Note:

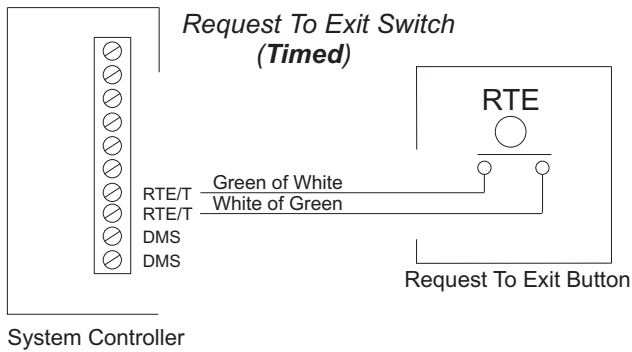
Please refer to the Controller Programming Instruction sheet in the Functional & Digital Installation Manual on how to initiate the powering of the Strobe.

Functional Audio Installation Manual

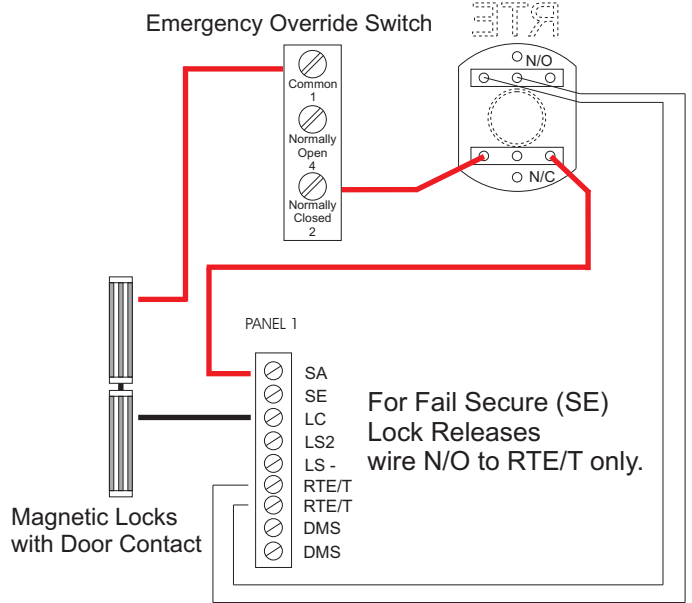
For Fail Secure (SE) Lock Releases.



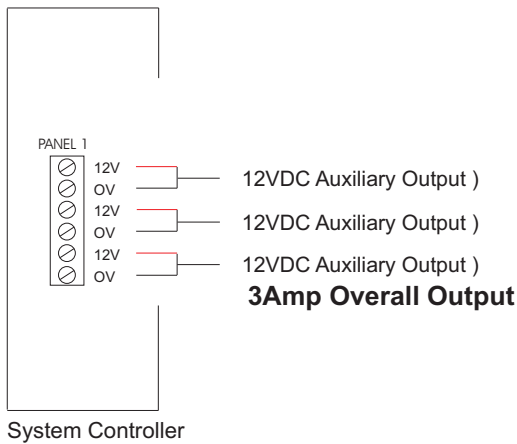
Request To Exit (Timed) wiring detail



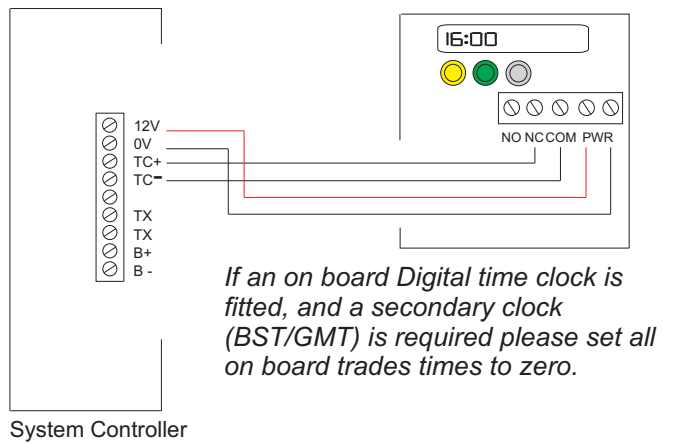
For Fail Safe (SA) Lock Releases. For Landing Panels only



12VDC Auxiliary Output wiring detail

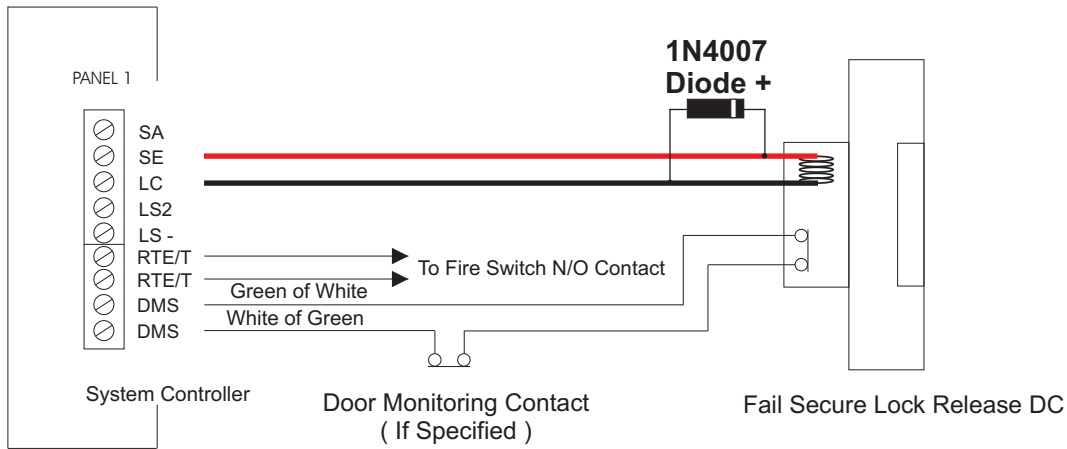


External Time Clock wiring detail

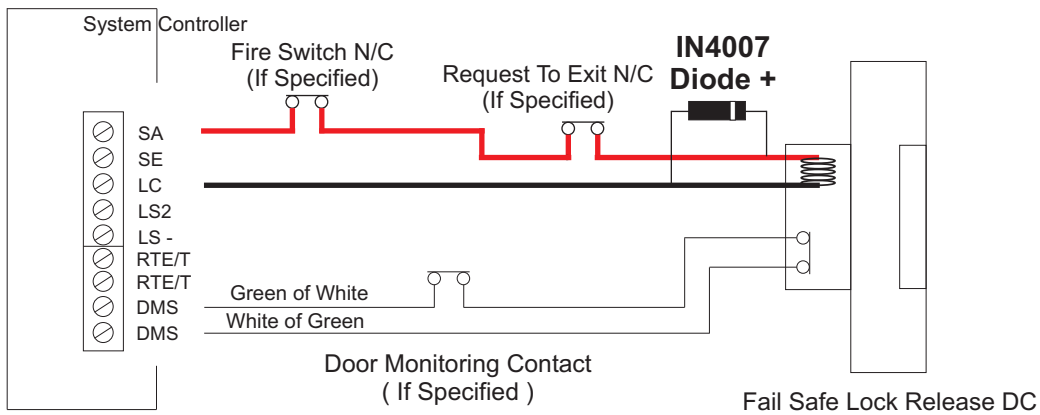


Functional Audio Installation Manual

DC Fail Secure Lock Release wiring detail



DC Fail Safe Lock Release wiring detail



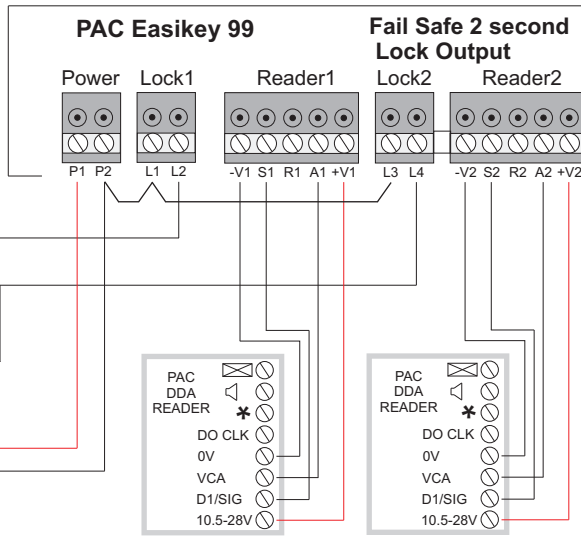
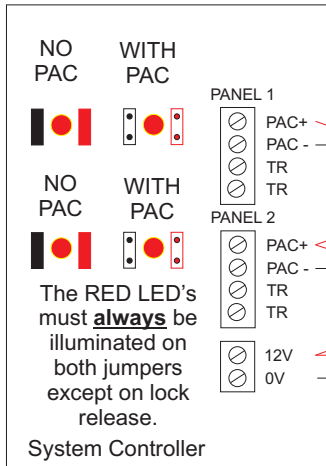
Note:

- a) If Door Monitoring is not required, then link DMS to DMS with a wire link.
- b) It is important that a **1N4007** diode is fitted at the lock release if you are using the System Controller for lock release power, This is to protect the System Controller against back EMF . If the locks are being powered by a PAC Controller then use the MOV supplied with the PAC reader.

Functional Audio Installation Manual

Proximity Access wiring detail

SelectLine Controller



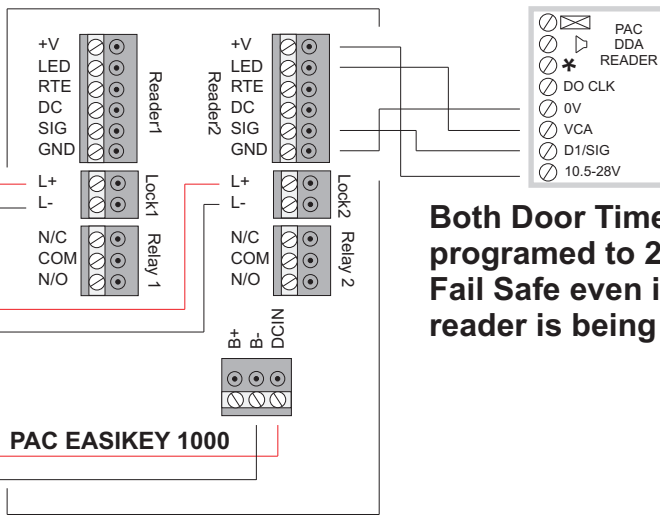
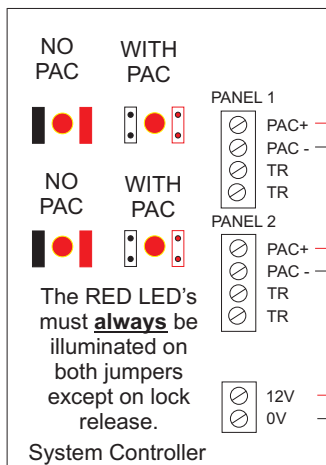
Both Door Times **Must** be programmed to 2 seconds Fail Safe even if only one reader is being used.

Note:

PAC Recommended cable:
7/0.2mm (0.22mm²) 4-core or
6-core unshielded cable or
CW1308 0.5dia Multipair cable.

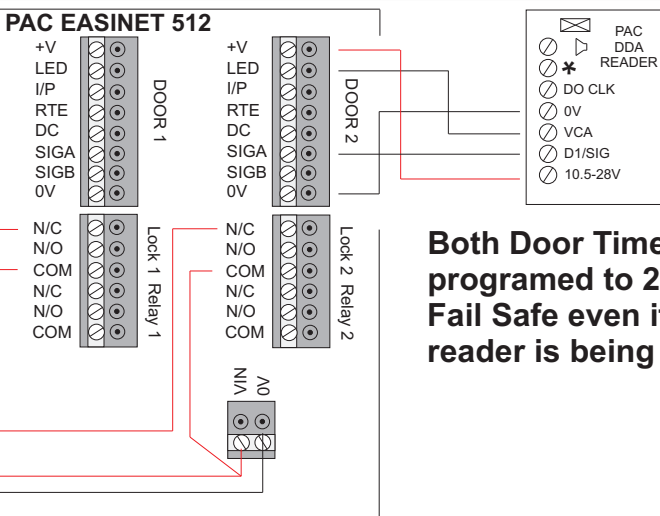
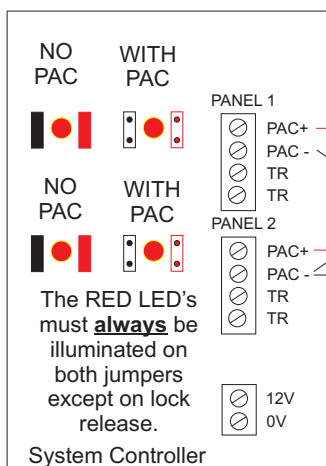
Channel1	Channel2	Reader	Colour
+V1	+V2	10.5/28V	Red
S1	S2	D1/SIG	Blue
R1	R2	n/c	White
A1	A2	VCA	Yellow
-V1	-V2	0V	Black

SelectLine Controller



Both Door Times **Must** be programmed to 2 seconds Fail Safe even if only one reader is being used.

SelectLine Controller



Both Door Times **Must** be programmed to 2 seconds Fail Safe even if only one reader is being used.

Functional Audio Installation Manual

Proximity Access wiring detail

SelectLine Controller

NO PAC 123
WITH PAC 123

NO PAC 123
WITH PAC 123

The RED LED's must **always** be illuminated on both jumpers except on lock release.

Functional Audio Controller

PAC Easikey 250

Both Door Times Must be programmed to 2 seconds Fail Safe even if only one reader is being used.

NO PAC 123
WITH PAC 123

Note: 123 123

PAC Recommended cable:
7/0.2mm (0.22mm²) 4-core or 6-core unshielded cable or CW1308 0.5dia Multipair cable.

Channel1	Channel2	Reader	Colour
+V1	+V2	10.5/28V	Red
S1	S2	D1/SIG	Blue
R1	R2	n/c	White
A1	A2	VCA	Yellow
-V1	-V2	0V	Black

SelectLine Controller

NO PAC 123
WITH PAC 123

NO PAC 123
WITH PAC 123

The RED LED's must **always** be illuminated on both jumpers except on lock release.

Functional Audio Controller

PAC EASIKEY 1000

Both Door Times Must be programmed to 2 seconds Fail Safe even if only one reader is being used.

NO PAC 123
WITH PAC 123

SelectLine Controller

NO PAC 123
WITH PAC 123

NO PAC 123
WITH PAC 123

The RED LED's must **always** be illuminated on both jumpers except on lock release.

Functional Audio Controller

PAC EASINET 512

Both Door Times Must be programmed to 2 seconds Fail Safe even if only one reader is being used.

NO PAC 123
WITH PAC 123

Functional Audio
Installation Manual

System Controller Summary

Connection Detail

<u>Controller</u>	<u>Telephone Handset</u>
1,C	Speaker/Electronic Call
2	Microphone
6	Common
9	Lock Release
PS	Privacy Switch
PL	Privacy On Indicator
DL	Door Monitoring Indicator
<u>Panel Amplifier Detail</u>	
1	Speaker
2	Microphone
+	+6VDC
-	-6VDC
<u>Entrance Panel Detail</u>	
DML	Door Monitor/Release Indicator
SBL	System Busy Indicator
FCL	Flat Called
CC	Button Common
<u>Trades Detail</u>	
TR1	Trades Button
TR2	Trades Button
RTE/T	Request To Exit (Timed)
RTE/T	Request To Exit (Timed)
<u>Lock Release Detail</u>	
LC	Lock Common (DC)
SA	Fail Safe (DC)
SE	Fail Secure (DC)
<u>PAC Detail</u>	
PAC+	PAC Connection (See page 11)
PAC-	PAC Connection (See page 11)

<u>Controller</u>	<u>Trades Clock</u>
TC	Secondary Trades Clock
TC	Secondary Trades Clock

	<u>Auxiliary Supplies</u>
0V	3 x 0V Output
12V	3 x 12VDC Output

Note: 3 Amp Overall Output

	<u>Power Input to Controller</u>
TX	12Vac Input
TX	12Vac Input

	<u>Battery Back Up</u>
B+	+12VDC Battery Input
B-	0V Battery Input

System Controller Programming Instructions

To be used in conjunction with the Controller Programming Instruction.

PROGRAMMING LINES

By setting all **FUNCTION** switches to **ON** and then pressing enter will set the system to default. (See System function Programming for set up and manufactures default settings).

Select the line number to program using the **FUNCTION** switches 1 - 5, note that position 6, 7 and 8 are always in the **OFF** position. (See Controller Programming Instruction).

Next using the **DATA** switches 1 to 4 set the Privacy time. For Call volume and Call type, set **DATA** switches 5, 6 and 7 to the required positions. At this time, setting **DATA** switch 8 to the **ON** position will program a Strobe, Sounder or both. (See Controller Programming Instruction).

Finally pressing the enter button will save the current Line information to memory. Continue until all Lines are programmed.

LOCK RELEASE PROGRAMMING

Use the **FUNCTION** switches to select Entrance Panel 1 and the **DATA** switches to select the number of seconds for the release duration. Select the lock release duration time using the **TIME SELECTION** seconds chart. (See Controller Programming Instruction).

Repeat for Entrance Panel 2

TELEPHONE RING TIME FROM THE ENTRANCE PANEL

Use the **FUNCTION** switches to select Entrance Panel 1 and the **DATA** switches to select the number of seconds for the ringing time duration. Select the ring time duration using the **TIME SELECTION** seconds chart.(See Controller Programming Instruction).

Repeat for Entrance Panel 2

ENTRANCE PANEL TO TELEPHONE CALL DURATION TIME

Use the **FUNCTION** switches to select Entrance Panel 1 and the **DATA** switches to select the number of seconds for the call duration time. Select the call duration time using the **TIME SELECTION** seconds chart. (See Controller Programming Instruction).

Repeat for Entrance Panel 2

DELAY BEFORE DOOR ALARM ACTIVATION

Use the **FUNCTION** switches to select Entrance Panel 1 and the **DATA** switches to select the number of minutes for the delay time. Select the Door Alarm delay duration time using the **TIME SELECTION** minutes chart. (See Controller Programming Instruction).

Repeat for Entrance Panel 2

DOOR ALARM DURATION TIME

Use the **FUNCTION** switches to select Entrance Panel 1 and the **DATA** switches to select the number of minutes for the alarm duration. Select the Door Alarm duration time using the **TIME SELECTION** minutes chart. (See Controller Programming Instruction).

Repeat for Entrance Panel 2

If required, the System Controller can send serial data to a PC.

Functional Audio Installation Manual

Controller Programming Settings

SYSTEM CONFIGURATION		Notes	FUNCTION SWITCH	DATA SWITCH
Default setting for all items			1 1 1 1 1 1 1 1	X X X X X X X X
Send setup to serial Port			0 0 0 0 0 1 1 1	0 0 0 0 0 0 0 0
Low Call Volume and Privacy Time	1		L L L L L 0 0 0	P P P P 0 1 1 E
Medium Call Volume and Privacy Time	1		L L L L L 0 0 0	P P P P 0 0 1 E
Nominal Call Volume and Privacy Time	1		L L L L L 0 0 0	P P P P 0 1 0 E
High Call Volume and Privacy Time	1		L L L L L 0 0 0	P P P P 0 0 0 E
Buzzer and Privacy Time	1		L L L L L 0 0 0	P P P P 1 0 0 E
Lock Release Time. Entrance Panel 1	2		1 0 0 0 0 0 1 0	S S S S S S S S
Lock Release Time. Entrance Panel 2	2		0 1 0 0 0 0 1 0	S S S S S S S S
Telephone Ring Time. Entrance Panel 1	2		1 0 0 0 0 1 1 0	S S S S S S S S
Telephone Ring Time. Entrance Panel 2	2		0 1 0 0 0 1 1 0	S S S S S S S S
Call Duration Time. Entrance Panel 1	2		1 0 0 0 0 0 0 1	S S S S S S S S
Call Duration Time. Entrance Panel 2	2		0 1 0 0 0 0 0 1	S S S S S S S S
Delay before Door Alarm. Entrance Panel 1	3		1 0 0 0 0 1 0 1	M M M M M M M M
Delay before Door Alarm. Entrance Panel 2	3		0 1 0 0 0 1 0 1	M M M M M M M M
Door Alarm Duration Time. Entrance Panel 1	4		1 0 0 0 0 0 1 1	M M M M M M M M
Door Alarm Duration Time. Entrance Panel 2	4		0 1 0 0 0 0 1 1	M M M M M M M M

IMPORTANT: Please do not forget to press the Enter button after making a selection.

<p>Note: 1) If an Extension Sounder or Strobe be required set Data switch 8 (E) to ON. 2) Do not set a value of Zero seconds or the system will not time out. 3) Set all Data switches to the OFF position if no Door Alarm is required. 4) Set all Data switches to ON position if the Door Alarm is to operate continuously.</p>	<p>1 = ON 0 = OFF L = Line Number (Telephone) P = Privacy Time (Telephone) E = Extension Strobe/Sounder as required (See note 1)</p> <p>X = Any Position S = Seconds M = Minutes N = Number</p>
---	--

LINE SELECTION (L)		TIME SELECTION (M/S) & CONTROLLER ADDRESS (N)			PRIVACY TIMER SELECTION (P)									
Line Number	Function Switch					Data Switch	Number of (M)inutes or (S)seconds	Controller Address (N)umber	Privacy Timer		Data Switch			
	1	2	3	4	5				(M)inutes and Hours		1	2	3	4
1	1	0	0	0	0	1	1	1	NO TIME (Remains on until manually switched off)		0	0	0	0
2	0	1	0	0	0	2	2	2			-	-	-	-
3	1	1	0	0	0	3	4	4	10 Minutes		0	1	0	0
4	0	0	1	0	0	4	8	8	20 Minutes		0	0	1	0
5	1	0	1	0	0	5	16	16	30 Minutes		0	1	1	0
6	0	1	1	0	0	6	32	32	40 Minutes		0	0	0	1
7	1	1	1	0	0	7	64	64	50 Minutes		0	1	0	1
8	0	0	0	1	0	8	128	Not Used	60 Minutes		0	0	1	1
9	1	0	0	1	0	<p>Note: 1) Select the combination that adds up to the required time period (Max 255 Seconds/Minutes) or Controller Address Number (Max 99). 2) All switches not required must be in the OFF position.</p>			70 Minutes		0	1	1	1
10	0	1	0	1	0				2 Hours		1	0	0	0
11	1	1	0	1	0				4 Hours		1	1	0	0
12	0	0	1	1	0				6 Hours		1	0	1	0
13	1	0	1	1	0				8 Hours		1	1	1	0
14	0	1	1	1	0				10 Hours		1	0	0	1
15	1	1	1	1	0				12 Hours		1	1	0	1
16	0	0	0	0	1				14 Hours		1	0	1	1
									16 Hours		1	1	1	1

Functional Audio Installation Manual

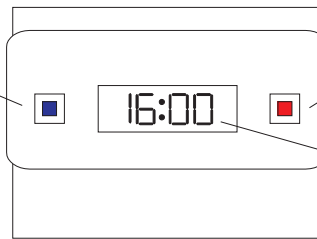
Controller Programming Example Settings

EXAMPLE SYSTEM SETTINGS			FUNCTION SWITCH								DATA SWITCH							
			ON								ON							
			1	2	3	4	5	6	7	8	1	2	3	4	5	6	7	8
Default setting for all items			1 1 1 1 1 1 1 1								X X X X X X X X							
Send setup to serial Port			0 0 0 0 0 1 1 1								0 0 0 0 0 0 0 X							
Low Call Volume and Privacy Time	Line1-Privacy 10 M ins	1	1	0	0	0	0	0	0	0	0	0	0	1	1	0	0	
Medium Call Volume and Privacy Time	Line5-Privacy 50 M ins	1	1	0	1	0	0	0	0	0	0	0	0	1	0	1	0	
Nominal Call Volume and Privacy Time	Line9-Privacy 4 Hours+Strobe	1	1	0	0	1	0	0	0	0	0	0	1	0	0	1	0	
High Call Volume and Privacy Time	Line12-Privacy 8 Hours	1	0	0	1	1	0	0	0	0	0	0	1	1	0	0	0	
Buzzer and Privacy Time	Line16-Privacy 12 Hours+Strobe	1	0	0	0	0	1	0	0	0	0	0	1	1	0	0	1	
Lock Release Time. Entrance Panel 1	16 seconds	2	1	0	0	0	0	0	0	1	0	0	0	0	1	0	0	
Lock Release Time. Entrance Panel 2	10 Seconds	2	0	1	0	0	0	0	0	1	0	0	1	0	0	0	0	
Telephone Ring Time. Entrance Panel 1	32 Seconds	2	1	0	0	0	0	0	1	1	0	0	0	0	1	0	0	
Telephone Ring Time. Entrance Panel 2	24 Seconds	2	0	1	0	0	0	0	1	1	0	0	0	1	1	0	0	
Call Duration Time. Entrance Panel 1	20 Seconds	2	1	0	0	0	0	0	0	0	1	0	0	1	0	0	0	
Call Duration Time. Entrance Panel 2	32 Seconds	2	0	1	0	0	0	0	0	0	1	0	0	0	1	0	0	
Delay before Door Alarm. Entrance Panel 1	5 Minutes	3	1	0	0	0	0	1	0	0	1	0	1	0	0	0	0	
Delay before Door Alarm. Entrance Panel 2	8 Minutes	3	0	1	0	0	0	1	0	0	1	0	1	0	0	0	0	
Door Alarm duration Time. Entrance Panel 1	Continuous	4	1	0	0	0	0	0	1	1	1	1	1	1	1	1	1	
Door Alarm duration Time. Entrance Panel 2	15 Minutes	4	0	1	0	0	0	0	1	1	1	1	1	1	1	0	0	
Note:			1 = ON 0 = OFF L = Line Number (Telephone) P = Privacy Time (Telephone) E = Extension Sounder or Strobe as required (See note 1)								X = Any P osition S = Seconds M = Minutes							
1) If an Extension Sounder or Strobe are required set Data switch 8 to ON.																		
2) Do not set a value of zero seconds or the system will not time out.																		
3) Set all Data switches to the OFF position if no Door Alarm is required.																		
4) Set all Data switches to ON if the Door Open Alarm is to operate continuously.																		
LINE SELECTION (L)						TIME SELECTION (M/S)						PRIVACY TIMER SELECTION (P)						
Line Number	Function Switch					Data Switch	Number of (M)inutes or (S)econds	Privacy Timer		Data Switch								
	1	2	3	4	5			(M)inutes and Hours		1	2	3	4					
1	1	0	0	0	0	1	ON	1	NO TIME (remains on until manually switched off)									
2	0	1	0	0	0	2	ON	2	10 Minutes	0	1	0	0					
3	1	1	0	0	0	3	ON	4	20 Minutes	0	0	1	0					
4	0	0	1	0	0	4	ON	8	30 Minutes	0	1	1	0					
5	1	0	1	0	0	5	ON	16	40 Minutes	0	0	0	1					
6	0	1	1	0	0	6	ON	32	50 Minutes	0	1	0	1					
7	1	1	1	0	0	7	ON	64	60 Minutes	0	0	1	1					
8	0	0	0	1	0	8	ON	128	70 Minutes	0	1	1	1					
9	1	0	0	1	0	Note: 1) Select the combination that adds up to the required time period.(Maximum 255 Mn/Seconds). 2) All switches not required must be in the OFF position.							2 Hours	1	0	0	0	
10	0	1	0	1	0								4 Hours	1	1	0	0	
11	1	1	0	1	0								6 Hours	1	0	1	0	
12	0	0	1	1	0								8 Hours	1	1	1	0	
13	1	0	1	1	0								10 Hours	1	0	0	1	
14	0	1	1	1	0								12 Hours	1	1	0	1	
15	1	1	1	1	0								14 Hours	1	0	1	1	
16	0	0	0	0	1								16 Hours	1	1	1	1	

Functional Audio Installation Manual

Digital Trades Clock Operating Instructions

Change Button
Sets Hours, Minutes
and Trade Times



Programme Button
Used to select the clock time and the 4
On/Off programmed times and to review
them once set

Output Status
Showing Trades
ON or OFF

Programming

Only two setting buttons are required, **Change** and **Program**. In normal use the **Change Button** is used to switch ON or OFF overriding the time switch until the next program ON or OFF time. During programming the **Change Button** is used to set the Hours and Minutes. The **Programme Button** is only used when setting or adjusting the clock time or the 4 programmed ON/OFF times, although it can be used to review the ON/OFF times once they have been set. Each time the **Programme Button** is pressed the display will flash either the hours or minutes in turn, starting with the clock, then the first ON time, first OFF time, second ON time etc.

Wherever the hours or minutes are flashing they may be set using the **Change Button**. Once the **Programme Button** is pressed again to proceed to the next stage.

Normal Operating Mode

In normal operation the time clock will display the correct time with the colon flashing. The output status will be shown as either ON or OFF on the display.



1. To Reset Display Mode

To clear programme from memory and reset the time controller press and hold down both buttons until the display goes blank. Release buttons and the display will fill with its complete range of characters and then clear to show the clock and hour digit flashing.



Programming Sequence

Setting Clock

Programme 1 ON
Programme 1 OFF
Programme 2 ON
Programme 2 OFF

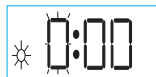
Programme 3 ON
Programme 3 OFF
Programme 4 ON
Programme 4 OFF
Operating Mode

Note:

Button pauses greater than One minute during programming will result in automatic return to the operating mode.

2. Setting Clock (after reset)

i. Hour setting– Press the **Change Button** to advance the hour setting. **Note:** For rapid hour selections press and hold the **Change Button**.

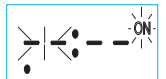


ii. Minute Setting- Press the **Programme Button** once to select the minutes display shows clock symbol and minute digits flashing. Press the **Change Button** to advance the minutes setting.



Note: For rapid minute selection press and hold the **Change Button** (16 hours shown as example of hours set).

iii. Press the **Programme Button** once- clock is now set and display shows ready for the first ON programme time with ON and the hours digit flashing.



3. To Set Programme ON/OFF Times (After clock setting)

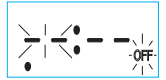
Program 1 ON time

i. Press **Change Button** to advance the hour setting.

ii. Press the **Programme Button** once to select the minute time–display shows minute digits and ON Flashing. Press **Change Button** to advance the minute setting. **Note:** 16 hours shown as example of hours set).



iii. Press the **Programme Button** once – the first ON time is now set and the display will show ready for the first OFF programme time.



iv. Now set the hours and minutes as before.

v. Repeat steps I to iv to set the remainder of the 3 ON/OFF times as required. **Note:** Any unused ON/OFF programs should be skipped until the display shows normal operating mode. Do not program '0's into unused programs.

4. Program Review

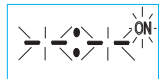
To fast review the set program or for quick exit to normal operating mode press and hold the **Programme Button**

5. Initiating Programme Mode

This can be initiated at any time during the normal operating mode. Press **Programme Button** and the clock, hours and minutes symbols on the display will flash– this is the review mode. If any change to the programmes is required press the **Change Button** to initiate programme mode and then follow steps 2 and 3.

6. Cancelling Programmes

Any ON/OFF programme can be cancelled by clearing its ON and OFF time. Follow step 5 and when into the ON/OFF programme to be cancelled press the **Change Button** until the digits show then press the **Programme Button** to clear the programme. The display will show the hour and minute digits and ON or OFF flashing.



Self Cancelling Override

To change the output status from ON to OFF or vice versa during normal operation press the **Change Button**. The output status will change and indicate override is in operation by flashing.

GMT/BST TIME SWITCH

Programming Instructions

Select Manufacturing Limited
Unit H1
The Seedbed Centre
Wyncolls Road
Severalls Business Park
Colchester
Essex CO4 9HT

Connection

The 2 screw terminals marked 'PWR' need to be connected to an AC or DC power supply within the following voltages:-

AC:- 7V to 21V R.M.S.

DC:- 10V to 30V

Note that if using a dc supply, it can be connected with either polarity.

The remaining 3 screw terminals are cleanSPCO relay contacts for connection to the target system.

Contact rating:-2A @ 30VDC
0.6A @ 150VAC

Display

The large LCD display shows the following information:-

The left hand 8 digits normally shows the date in DD/MM/YY format. Every 30 seconds this changes to show the relay state and the day of the week for a few moments. The right hand 8 digits shows the time in HH:MM 24 hour format. The colon flashes to show the clock is running. The last digit shows either 'W' during winter periods (ie. GMT) or 'S' during summer periods (ie. BST). Also the last digit flashes during times when the time switch settings determine that the relay should be on.

06/03/02 17:11 S

Programming

The Time Clock is simply programmed using the three coloured buttons. The three buttons are used as follows:-

PROG (Yellow) Steps between the **PROG** modes (date,times etc).

RIGHT (Green) Moves the cursor to the next number.

UP (Grey) Increments the number at the cursor.

The button auto-repeats if held down for several seconds. The left half of the display shows a description of the data to be entered, and the right half shows the data as it is entered.

Step by Step Example

Press **PROG (Yellow)** button.

DATE ? 06/03/02

Display shows:-

Press and hold (or repeatedly press) the **UP (Grey)** button until the number at the underlined cursor equals the current date (ie. 1-31).

Press **RIGHT (Green)** button once.

The underline cursor moves to the months column.

Repeat pressing the **UP (Grey)** button until the underlined number equals the current month (ie 1-12)

Press **RIGHT (Green)** button once.

The underline cursor moves to the years column.

Repeat pressing the **UP (Grey)** button until the underlined number equals the current year i.e. (1-99)

Note:- It is important for proper GMT/BST operation that the correct date is entered. When the display shows the correct date:-

Press the **PROG (Yellow)** button.

Display shows:-

TIME ? 17:12:56

Using the Green and Grey buttons as previously set the display to the correct time (**24 hour clock**).

Note:- The time entered is always normal 'clock' time i.e. GMT during winter and BST during summer-time.

Press the **PROG (Yellow)** button.

Display shows:-

Using the Green and Grey buttons as before set the time at which you wish the time switch to come on. The third column (**dy**) is the day or days when this setting will operate. When this is underlined each press of the Grey button will step through the available options, which are:-

DY - Every day

MF - Weekdays i.e. Monday to Friday

SS - Weekend i.e. Saturday and Sunday

Mn - Monday Only

Tu - Tuesday Only

Wd - Wednesday Only

Th - Thursday Only

Fr - Friday Only

SA - Saturday Only

Su - Sunday Only

Of - Off i.e. Never

ON 1 ? 7:15 DY

Press the **PROG (Yellow)** button.

Display shows:-

Set the time you wish the time switch to switch off.

OFF 1 ? 7:30

Press the yellow button and set the ON and OFF times for the remaining 5 settings.

Note:- If one or more ON/OFF settings are not required then they can be disabled by either:- i. Setting the OFF time to be before, or the same as, the ON time. ii. Setting the day code to 'Of' After setting the 'OFF 6' time the time switch resets and starts running with the new settings.

Manual Override

A single press of the Grey button changes the state of the output. This stays in operation until the next on or off time is reached, or the Grey button is pressed again, when normal programmed operation resumes.

Clear

If required the time switch can be completely cleared, including the date, time and all ON/OFF settings, by the following procedure.

Press and hold the Yellow button.

Press and hold the Green and Grey buttons for several seconds.

Display shows:- CLEAR? Y/N

Release all three buttons.

Press the Green button until the 'Y' is underlined.

Press the Yellow button.

Option Link

If summer-time correction is not required then cut the 'BST INHIBIT' link on the circuit board.

Functional Audio
Installation Manual

System Wiring Colour Codes cont...

System Controllers to
Functional and Landing Entrance Panels

<u>Controller</u>	<u>Entrance Panel</u>
1 Brown of White	Button 1
2 White of Brown	Button 2
3 Slate of White	Button 3
4 White of Slate	Button 4
5 Red of Orange	Button 5
6 Orange of Red	Button 6
7 Green of Red	Button 7
8 Red of Green	Button 8
9 Brown of Red	Button 9
10 Red of Brown	Button 10
11 Black of Blue	Button 11
12 Blue of Black	Button 12
13 Black of Orange	Button 13
14 Orange of Black	Button 14
15 Green of Black	Button 15
16 Black of Green	Button 16
CC Slate of Red and Red of Slate	Button Common
TR Brown of Black	Trades Button
TR Black of Brown	Trades Button

Note:
The CC connection on the Controller to the Entrance Panel button common should always be a pair. I.e. Slate of Red and Red of Slate.

Controller to Entrance Panel Amplifier

<u>Controller</u>	<u>Amplifier</u>
1 Blue of White	1
2 White of Blue	2
+ Blue of Red and Red of Blue	+
- White of Orange and Orange of White	-

Controller to Dual and Landing Entrance Panels

<u>Controller</u>	<u>Panel</u>
DML Black of Slate	DML
SBL Slate of Black	SBL
FCL Red of Blue	FCL
0V Connect to Negative (-) on Panel Amplifier	

Note:
a) The above colour codes are based on a 15 Pair CW1308 Multi-pair cable.
b) The main colour is the first colour stated above. The banding is the second colour stated above. Therefore, a wire stated as Black of Slate would be a Black main colour with a Slate banding.

System Controllers to
Telephone Handset

<u>Controller</u>	<u>Telephone</u>
1,C Blue of White	1
2 White of Blue	2
6 White of Orange and Orange of White	6
9 White of Green	9
PS Green of White	PS
PL Brown of White	PL
DL White of Brown	DL

Note:
a) The above colour codes are based on a 4 Pair CW1308 Multi-pair cable.
b) The maximum length between the Controller and a Telephone should not exceed 50 metres.

Telephone to Strobe/Sounder

<u>Telephone</u>	<u>Strobe/Sounder</u>
6 Blue of White	-Black
CA Via connector block	White of Blue +Red

Controller to Door Contact

<u>Controller</u>	<u>Door Contact</u>
DMS Green of White	Switch Contact
DMS White of Green	Switch Contact

Controller to Lock Release Monitor Contacts

<u>Controller</u>	<u>Switch Contact</u>
DMS Green of White	Switch Contact
DMS White of Green	Switch Contact

Note:
a) The above colour codes are based on a 4 Pair CW1308 Multi-pair cable.
b) If Door Contacts and Lock Release Monitoring Contacts are both to be used, then both switches must be wired in series back to the DMS terminals in the Controller.
c) The main colour is the first colour stated above. The banding is the second colour stated above. Therefore, a wire stated as Black of Slate would be a Black main colour with a Slate banding.

Functional Audio
Installation Manual

System Wiring Colour Codes continued...

Controller to Lock Release (AC/DC)

Controller

LC)
) 1mm Twin Mains Type Cable
SA)

Lock Release (Fail Safe DC)

Lock Release Connection
Lock Release Connection

Controller

LC)
) 1mm Twin Mains Type Cable
SE)

Lock Release (Fail Secure DC)

Lock Release Connection
Lock Release Connection

Controller

RTE T White of Green
RTE T Green of White

Request To Exit Button (Timed) (DOUBLE POLE)

Switch Contact (Normally Open Contacts)
Switch Contact (Normally Open Contacts)

Note:

a) The above colour codes are based on a 4 Pair CW1308 Multi-pair cable.

b) The main colour is the first colour stated above.

The banding is the second colour stated above.

Therefore, a wire stated as Black of Slate would be a Black main colour with a Slate banding.

Power Specification

Power Input

System Controller	230VAC
Working Voltage	12AC
Amplifier	6-12VDC

Controller Outputs

Lock Release (Fail Secure)	12VDC (Normally Open)(Rated 1Amp)
Lock Release (Fail Safe)	12VDC (Normally Closed)(Rated 1Amp)
Auxiliary Supply	3 x 12VDC (Rated 3Amp overall)

Battery Back Up:

12V7Ah Sealed Lead Acid Battery

System Controller Default Settings..

The following system functions are selected by using the FUNCTION and DATA dill switches located on the Controller motherboard below the Digital Trade clock.

Each of the above switches contains 8 ON and 8 OFF positions that can be selected in various combinations to achieve varying system functions.Press the ENTER button when changes are made.

Available Functions:

Description

Default

Default settings for all functions	Set
Setting line number for apartment	Set 1 - 16
Serial link set up	OFF
Nominal Volume Electronic Call	ON
Privacy Time	8 Hours
Strobe	OFF

Entrance Door 1 (Adjustable Time Functions)

Default

Lock Release time	10 Seconds
Telephone Ringing time	20 Seconds
System active duration time	30 Seconds
Door Open Alarm delay time	OFF
Door Open Alarm duration time	OFF

Entrance Door 2 (Adjustable Time Functions)

Default

Lock Release time	10 Seconds
Telephone Ringing time	20 Seconds
System active duration time	30 Seconds
Door Open Alarm delay time	OFF
Door Open Alarm duration time	OFF

User telephone Instruction Leaflet. Type AT-PID

Once the Visitor has called you have the following options and indicators available to you:

Replace The Handset

You can replace the Handset without releasing the door.

To Release the Door

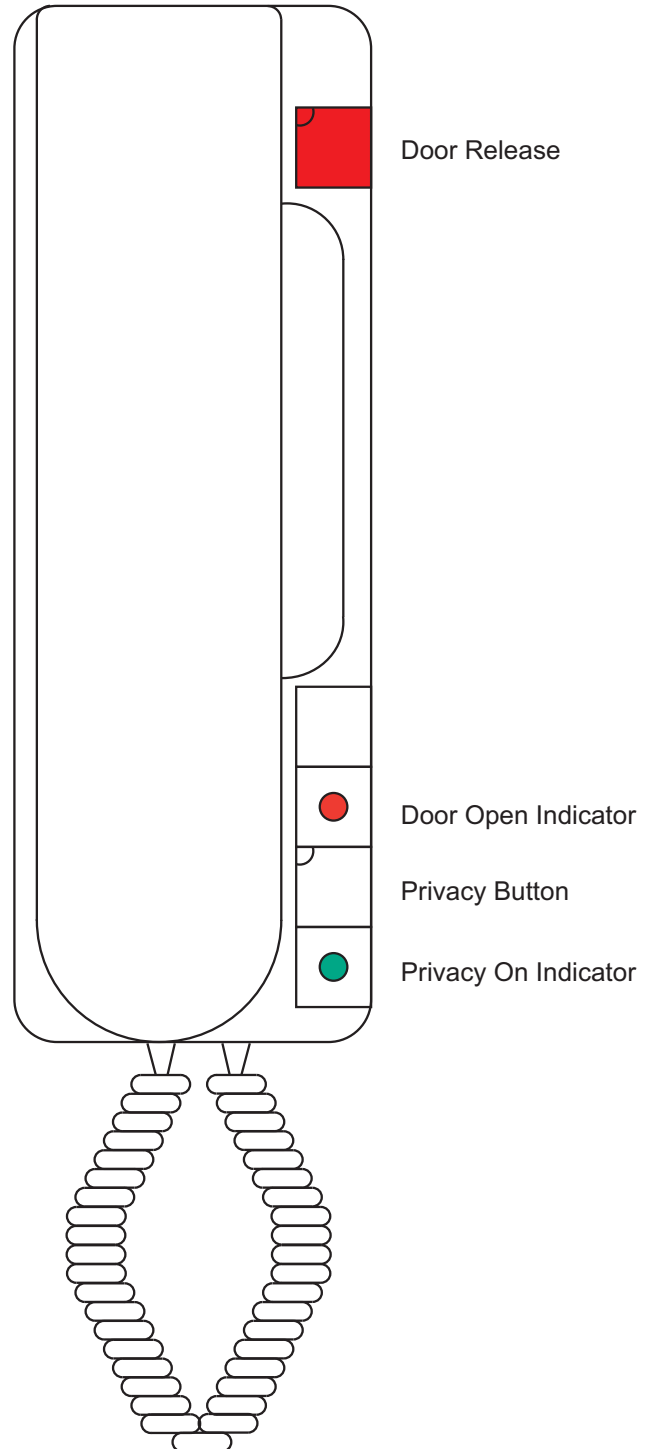
Press the **Door Release button**: this will cause the **RED Door Open** indicator to flash to confirm the door is being released for your visitor.

Door Open Warning

Once the Main Entrance door has been opened the **RED Door Open** indicator will stop flashing and will stay illuminated until the Entrance door is closed.

To Set Telephone Privacy

By pressing the **Privacy button** you will activate the system timer and illuminate the **GREEN Privacy On** indicator stopping all incoming calls for a timed period. You can, at any time if you wish, cancel the timed privacy period by pressing the **Privacy Button**. This cancellation will be confirmed by the extinguishing of the **GREEN Privacy On** indicator.



Functional Audio
Installation Manual

Select Manufacturing Limited Tel: 01206 855800 Fax: 01206 855801

Functional & Digital Audio Systems

Commissioning/Final Inspection Test Sheet.



Client Name: Site Address: Telephone No.:	Commissioning Engineer:
	Installer Name:

Line Number	Flat Number.	Call Tone.	Speech.	Lock Release	Door Open Indicator	Privacy Indicator	Video Picture	Comments
1								
2								
3								
4								
5								
6								
7								
8								
9								
10								
11								
12								
13								
14								
15								
16								

Trades	Trades settings	On	Off	On	Off	On	Off	On	Off
--------	-----------------	----	-----	----	-----	----	-----	----	-----

General System Comments: Please use reverse